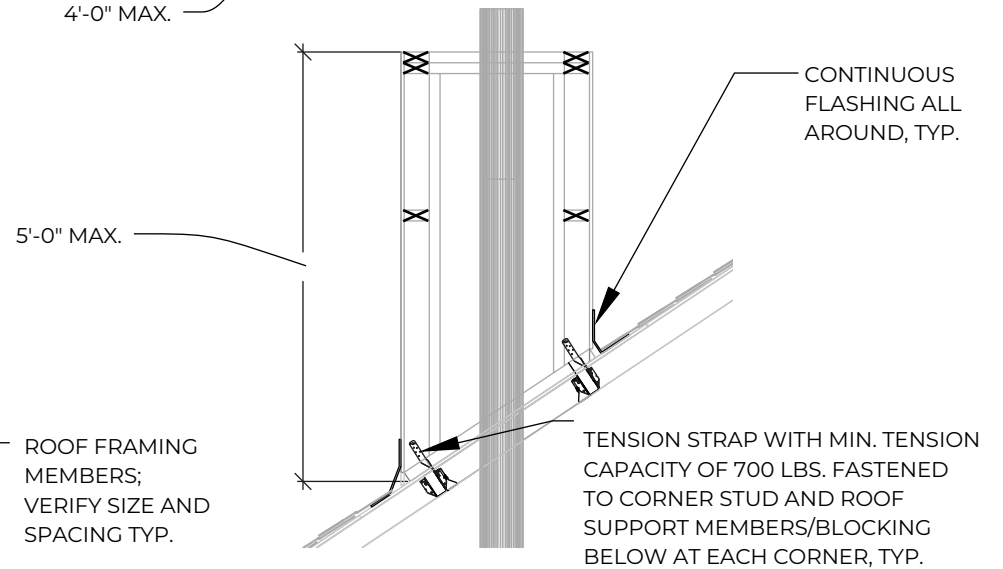
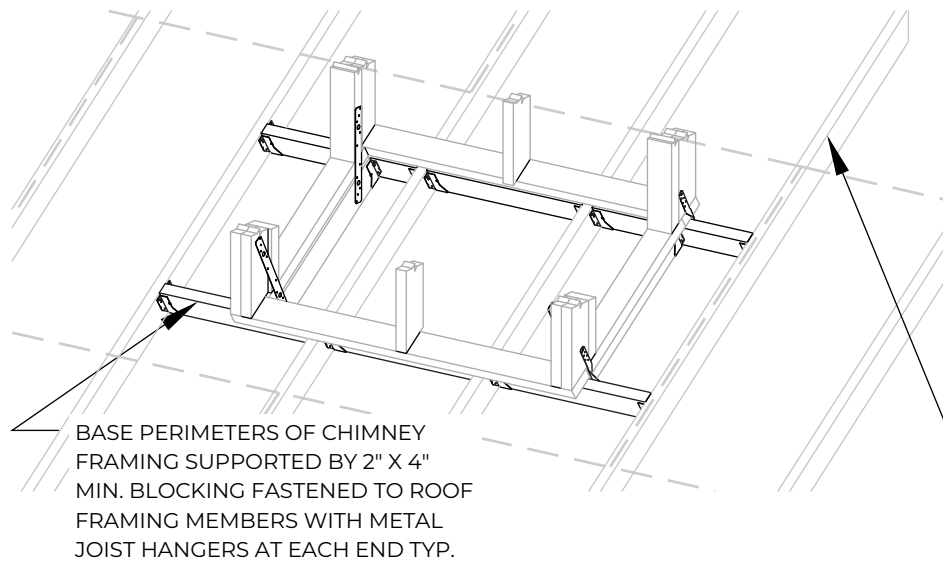
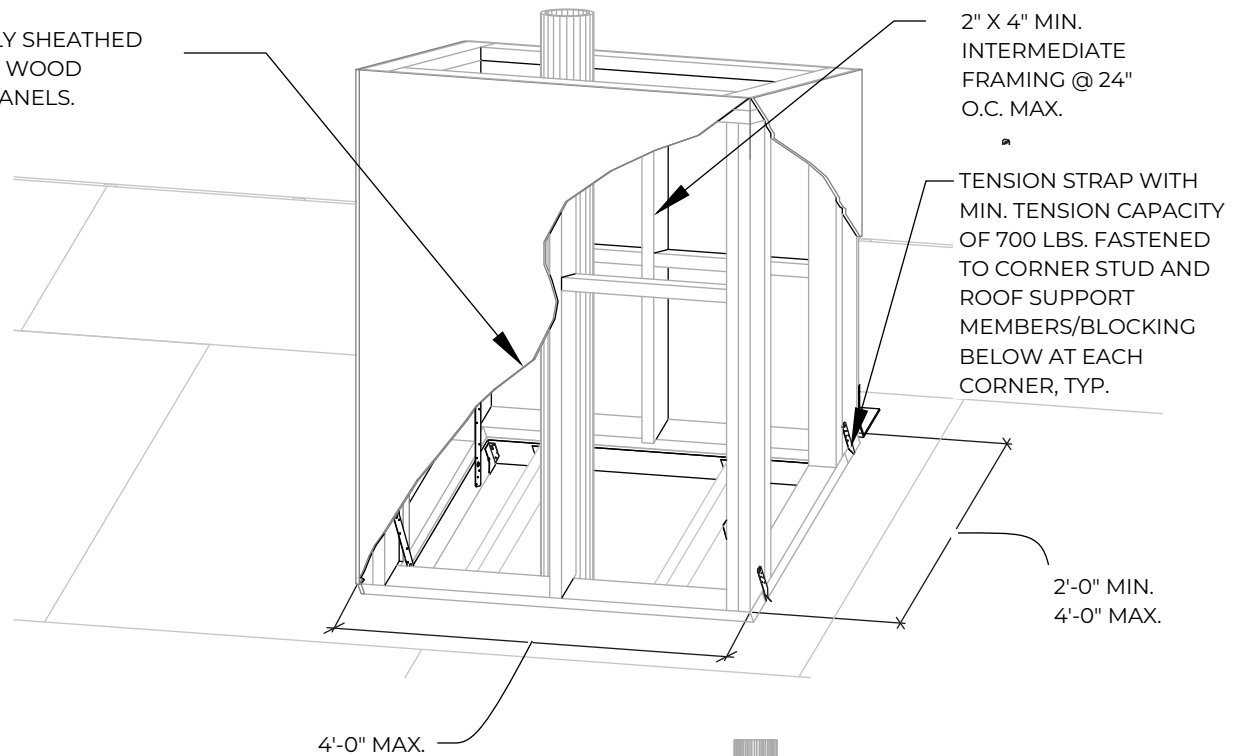


- GENERAL NOTES:**
1. REFER TO APPLICABLE FORTIFIED HOME STANDARDS FOR ADDITIONAL INFORMATION.
 2. PRESCRIPTIVE RETROFIT GUIDANCE IS APPLICABLE FOR CHIMNEYS LOCATED IN THE INTERIOR ZONE OF THE ROOF (ZONE 1) AND EXTENDING LESS THAN 5 FT ABOVE THE ROOF DECK. ANCHORAGE FOR CHIMNEYS OUTSIDE OF THESE LIMITATIONS REQUIRES ENGINEERING REVIEW AND DETAILING BY A PROFESSIONAL ENGINEER.
 3. FORTIFIED HOME STANDARDS ARE TO BE APPLIED IN CONJUNCTION WITH FEDERAL, STATE, AND LOCAL CODES, ORDINANCES AND REGULATIONS IN ADDITION TO THE STRUCTURAL DESIGN WHICH IS BY OTHERS. IN CASE OF A CONFLICT BETWEEN PROVISIONS, USE WHICHEVER IS MORE STRINGENT.

EXTERIOR FULLY SHEATHED WITH 7/16" MIN. WOOD STRUCTURAL PANELS.



APPLICABLE STANDARDS:

FORTIFIED HOME™ - HURRICANE (2020)
 FORTIFIED HOME™ - HIGH WIND (2020)

DESCRIPTION:

PRESCRIPTIVE CHIMNEY TIE-DOWN
 DETAIL FOR CHIMNEYS UP TO 5 FT

DRAWING #:

F-CTD-1

DATE:

11/01/20