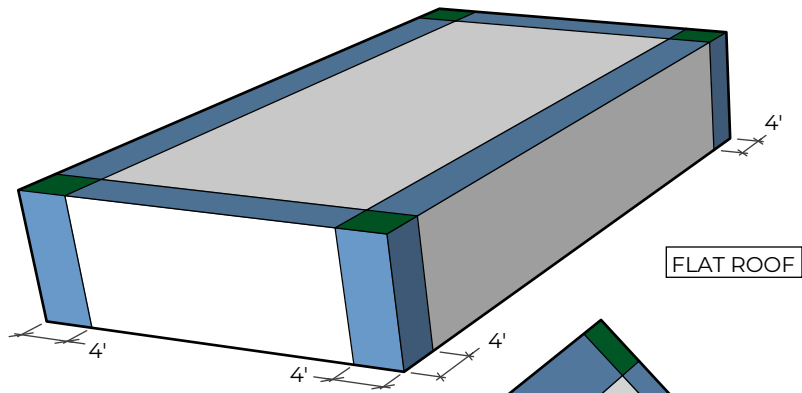


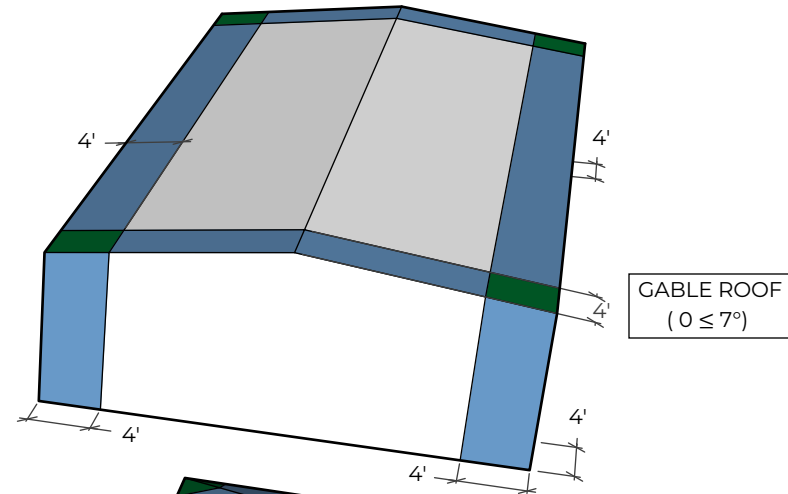
INTERIOR ZONES  
ROOFS - ZONE 1/ WALLS - ZONE 4

END ZONES  
ROOFS - ZONE 2/ WALLS - ZONE 5

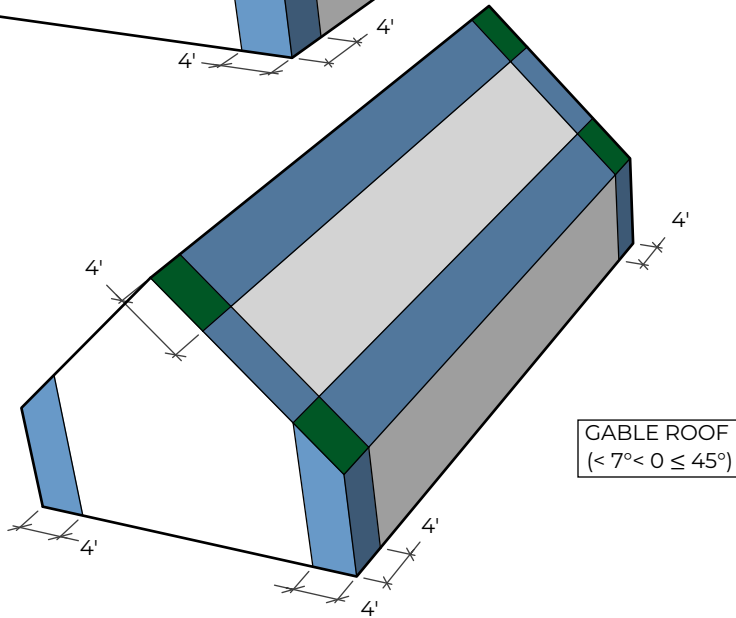
CORNER ZONES  
ROOFS - ZONE 3



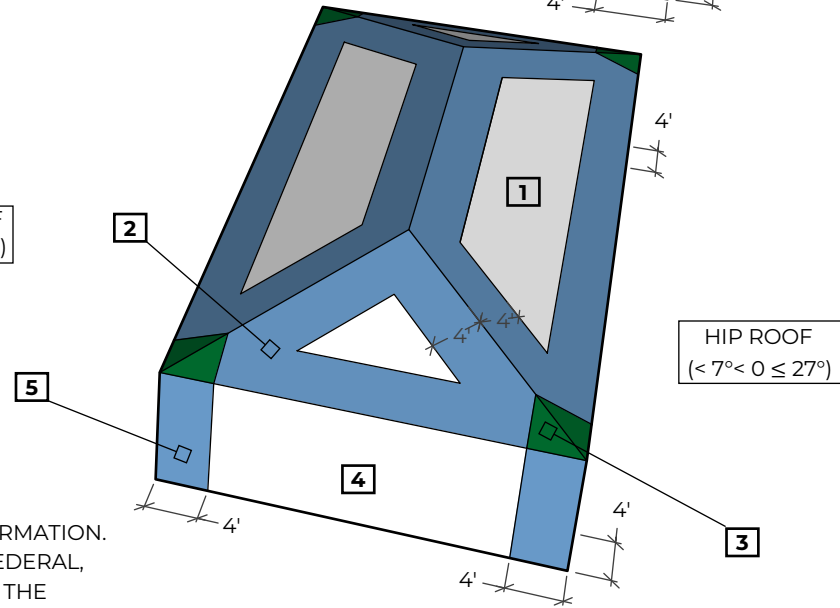
FLAT ROOF



GABLE ROOF  
( $0 \leq 7^\circ$ )



GABLE ROOF  
( $< 7^\circ < 0 \leq 45^\circ$ )



HIP ROOF  
( $< 7^\circ < 0 \leq 27^\circ$ )

**GENERAL NOTES:**

1. REFER TO APPLICABLE FORTIFIED HOME STANDARDS FOR ADDITIONAL INFORMATION.
2. FORTIFIED HOME STANDARDS ARE TO BE APPLIED IN CONJUNCTION WITH FEDERAL, STATE, AND LOCAL CODES, ORDINANCES AND REGULATIONS IN ADDITION TO THE STRUCTURAL DESIGN WHICH IS BY OTHERS. IN CASE OF A CONFLICT BETWEEN PROVISIONS, USE WHICHEVER IS MORE STRINGENT.



**APPLICABLE STANDARDS:**

FORTIFIED HOME™ - HURRICANE (2019)  
FORTIFIED HOME™ - HIGH WIND (2015)

**DESCRIPTION:**

ROOF AND WALL ZONE DIAGRAM

**DRAWING #:**

F-G-2

**DATE:**

11/18/2019